

Telematics Control Unit (TCU) Module Antenna Coaxial Cable

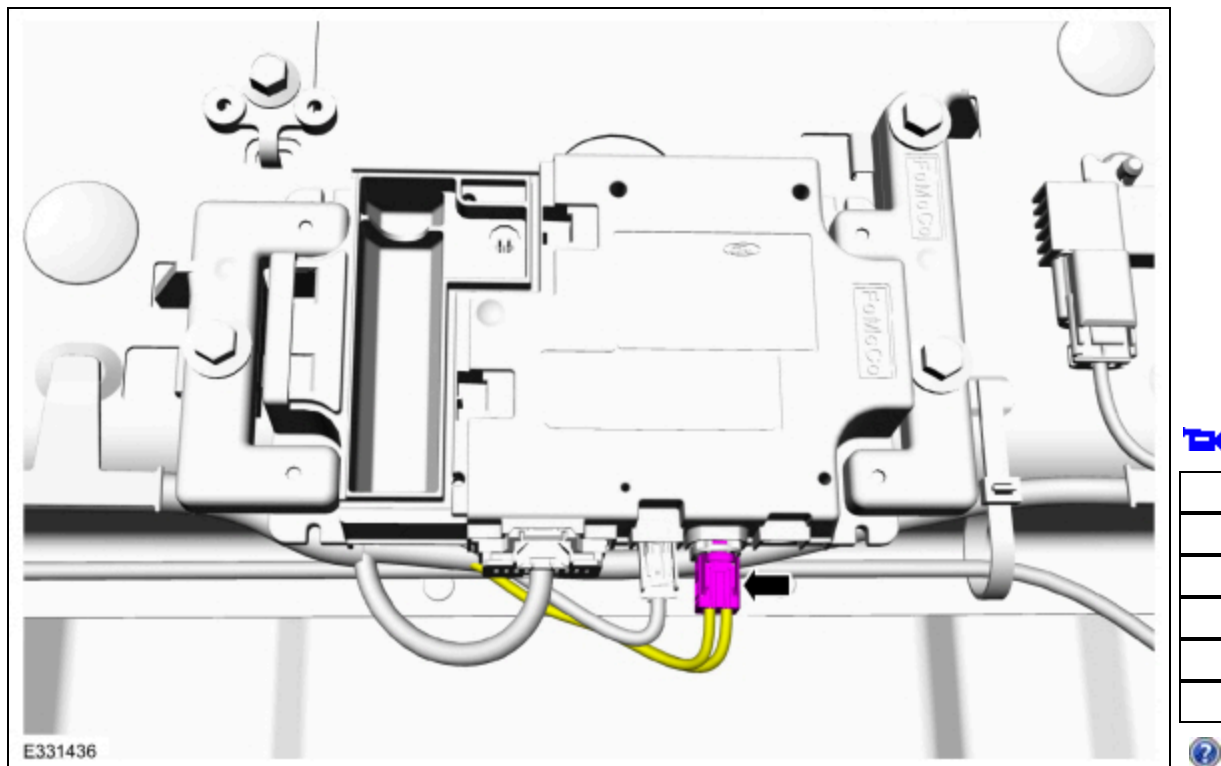


Removal

NOTE: Removal steps in this procedure may contain installation details.

NOTE: The original equipment antenna cables are part of the wiring harnesses and cannot be removed. This procedure refers to replacement of the cable only by overlaying the cable.

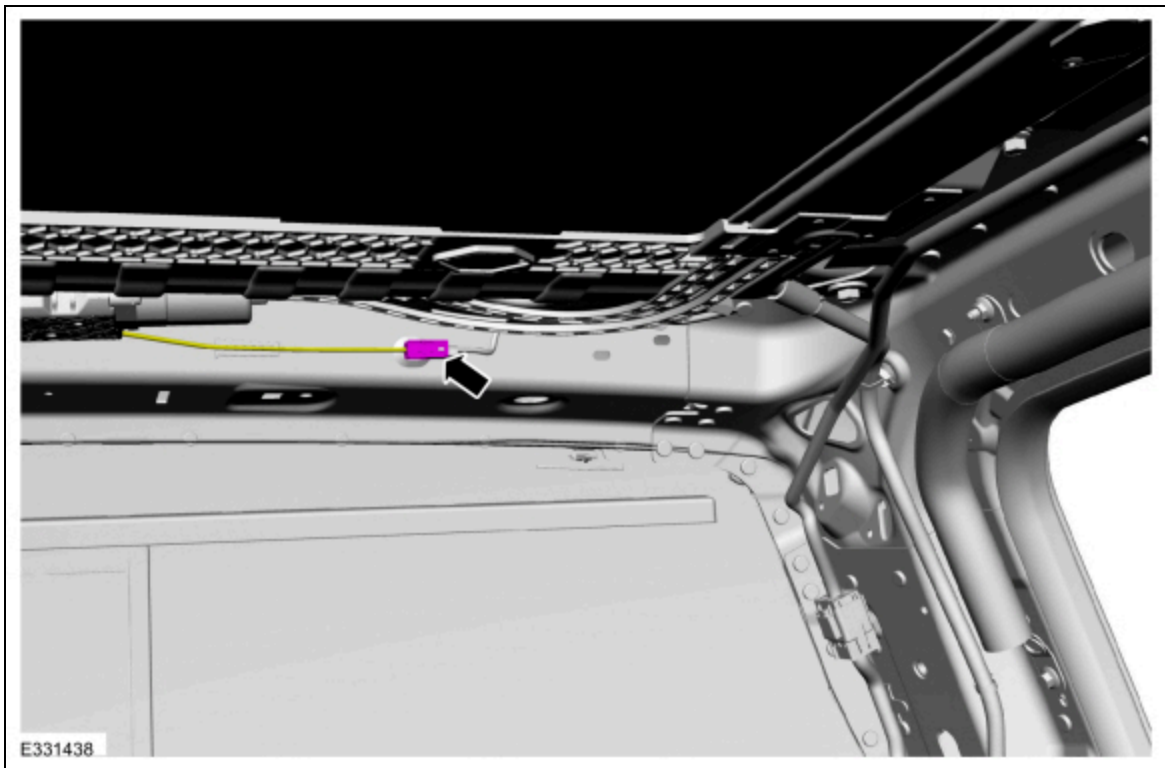
1. Remove the loadspace trim panel.
Refer to: [Loadspace Trim Panel - Regular Cab](#) (501-05 Interior Trim and Ornamentation, Removal and Installation).
Refer to: [Loadspace Trim Panel - SuperCab/SuperCrew](#) (501-05 Interior Trim and Ornamentation, Removal and Installation).
2. Lower the headliner.
Refer to: [Headliner - Lowering - Regular Cab](#) (501-05 Interior Trim and Ornamentation, Removal and Installation).
Refer to: [Headliner - Lowering - SuperCab](#) (501-05 Interior Trim and Ornamentation, Removal and Installation).
Refer to: [Headliner - Lowering - SuperCrew](#) (501-05 Interior Trim and Ornamentation, Removal and Installation).
3. Disconnect the TCU electrical connector.



4. Disconnect the primary cellular phone antenna connector.

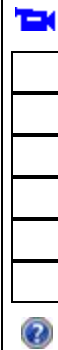
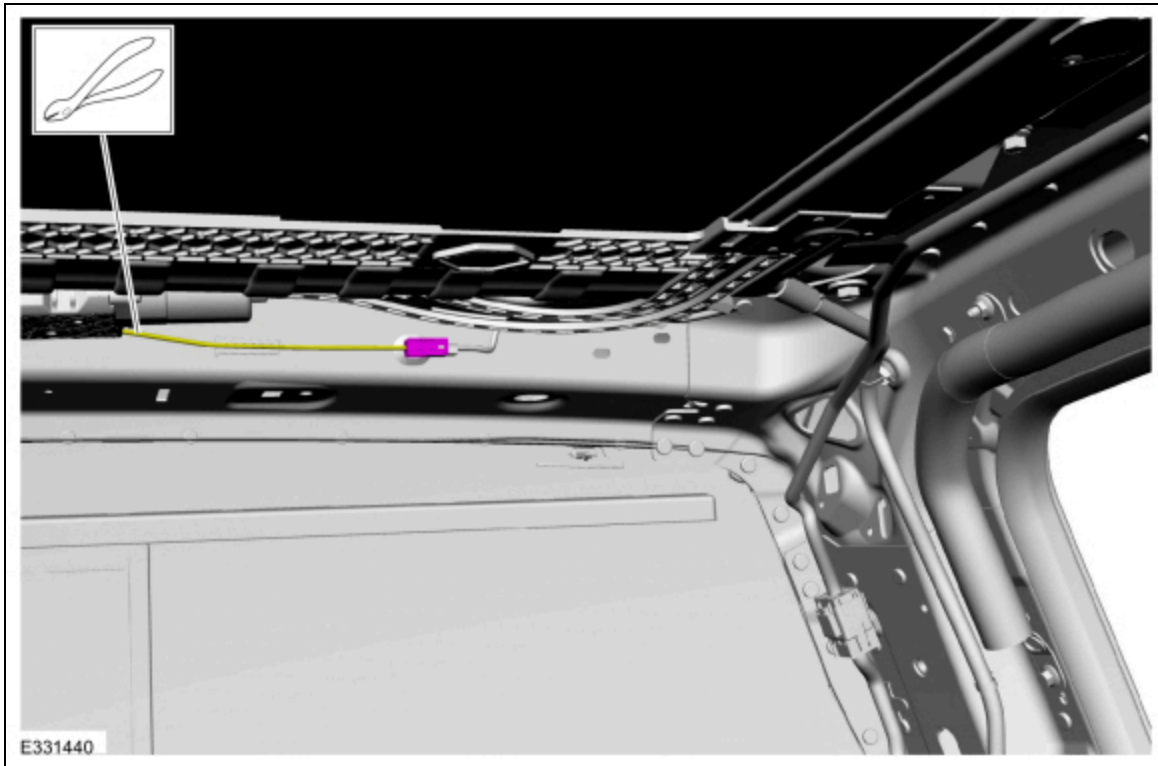


5. Disconnect the secondary cellular phone antenna connector.



Installation

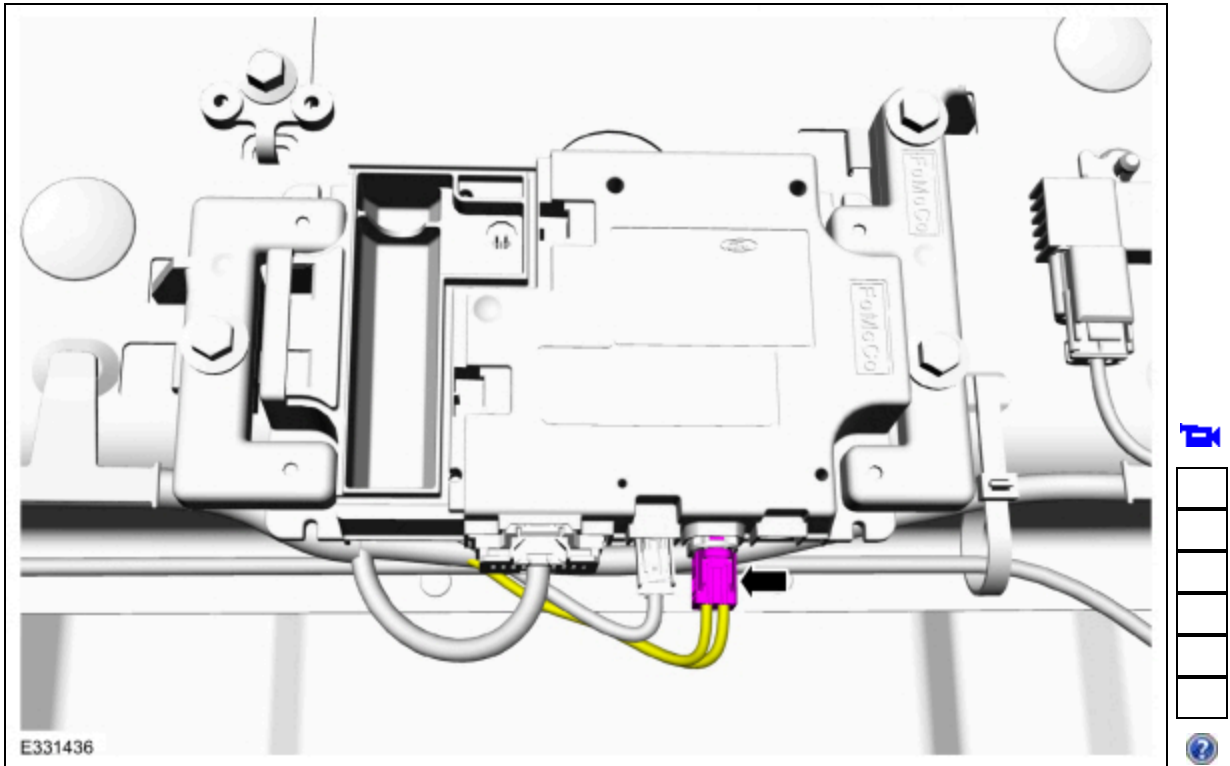
1. Cut the secondary cellular phone antenna connector end off the body wiring harness.



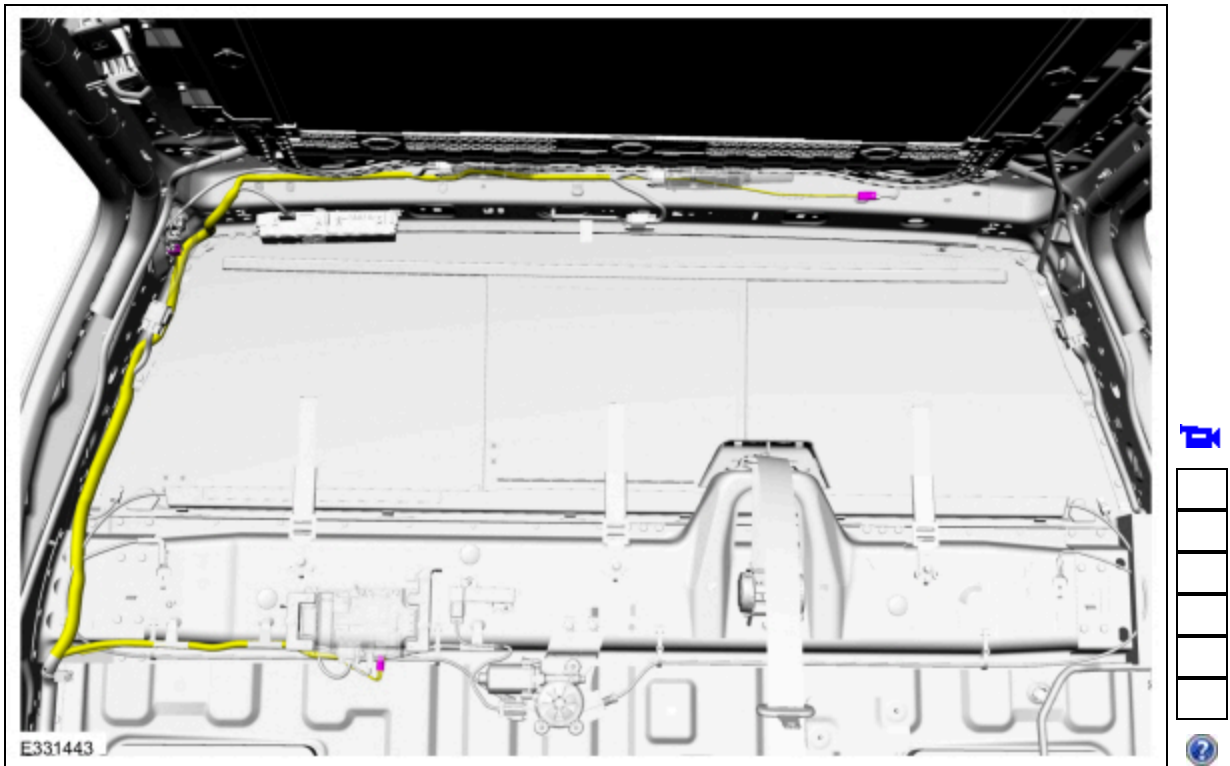
2. Cut the primary cellular phone antenna connector end off the body wiring harness.



3. Cut both the TCU electrical connector ends off the body wiring harness.



4. Install the new TCU antenna co-axial cables.
- Route the new TCU antenna co-axial cables following the routing shown.
 - Secure the new TCU antenna co-axial cables, as necessary, to prevent NVH concerns.



5. To install, reverse the removal procedure.

