

Tailgate - Vehicles With: Power Tailgate

OPENING THE TAILGATE

Opening the Tailgate From Inside Your Vehicle

The vehicle must be in park (P) to operate the power tailgate.



Press the button on the instrument panel.

Note: A tone sounds while the tailgate opens.

Note: The tailgate stops and reverses if it detects an obstruction when opening.

Note: An alert sounds if the electronic tailgate is disabled.

Opening the Tailgate From Outside Your Vehicle

1. Unlock the vehicle with the remote control or power door unlock control.

Note: If an intelligent access transmitter is within 3 ft (1 m) of the tailgate, the tailgate unlocks when you press the tailgate release button.



2. Press the button in the top of the tailgate handle.

Opening the Tailgate Using the Remote Control



Press the remote control button twice within three seconds.

CLOSING THE TAILGATE

Closing the Tailgate From Inside Your Vehicle



Press the button on the instrument panel.

Note: The tailgate stops and reverses if it detects an obstruction when closing.

Closing the Tailgate From Outside Your Vehicle

You can close the power tailgate by:

- Pressing the tailgate button on your remote control twice within three seconds.
- Pressing the button on the instrument panel.
- Pressing the button on the tailgate.

Note: The tailgate stops and reverses if it detects an obstruction when closing.

Lift-to-Close

To close the tailgate automatically using lift-to-close, lift the tailgate approximately 4 in (10 cm) and hold it for a few seconds.

Note: If the tailgate position is more than halfway between open and close, it may not close automatically.

Manual Close

You can close the tailgate manually when you lift the tailgate in a continuous motion.

Tailgate - Vehicles With: Power Tailgate

If you stop the tailgate motion, the lift-to-close feature can engage and power close the tailgate.

Putting the Tailgate in Manual Mode

You can put the tailgate in manual mode through the vehicle settings in your touchscreen.

Note: In manual mode, the tailgate only functions by the tailgate release button and messaging is reduced.

Closing the Tailgate Using the Remote Control

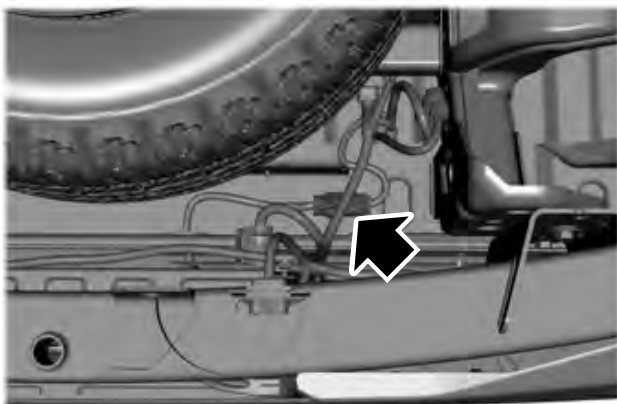


Press the remote control button twice within three seconds.

REMOVING AND INSTALLING THE TAILGATE



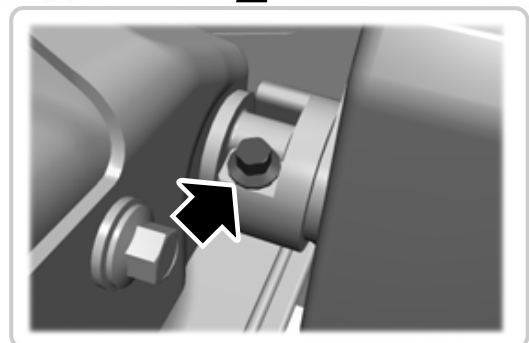
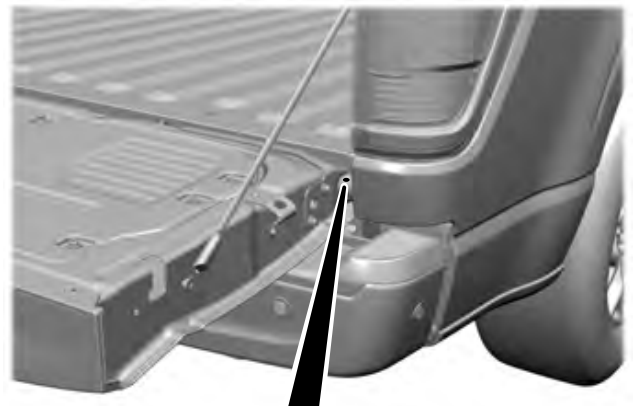
WARNING: Always properly secure cargo to prevent shifting cargo or cargo falling from the vehicle. Failure to do so could result in compromised vehicle stability and serious personal injury to vehicle occupants or others.



1. Put the tailgate into manual mode by accessing the vehicle settings using the touchscreen.
2. Open the tailgate.
3. Disconnect the power door locks in-line connector. It is under the pickup box on the right-hand side of the vehicle near the spare tire.
4. Install a protective cap on the in-line connector portion that remains under the pickup box.

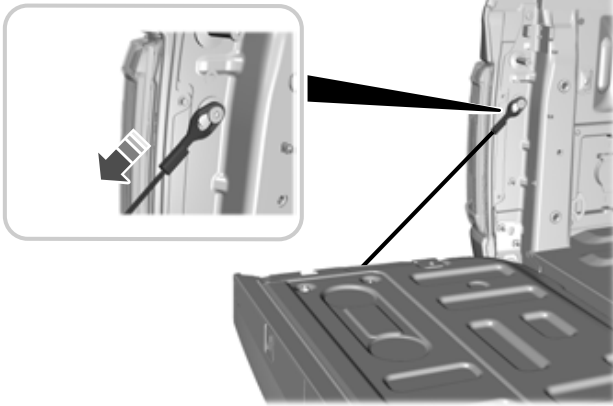
Note: The protective cap is in the glove compartment.

5. Partially raise the tailgate. Carefully feed the tailgate harness up through the gap between the pickup box and the bumper and place it out of the way under the pickup box.
6. Fully lower the tailgate.



7. Remove the retaining screw.

Tailgate - Vehicles With: Power Tailgate



8. Use a screwdriver to gently pry the spring clip on each connector past the head of the support screw. Disconnect the cable.
9. Disconnect the other cable.

Note: To avoid damaging the tailgate, you may need assistance when removing. The tailgate weighs approximately 97lb (44 kg).

10. Lift the tailgate to 45 degrees from the horizontal position.
11. Lift the right-hand side off its hinge.
12. Lift the tailgate to 80 degrees from the horizontal position.
13. Remove the tailgate from the left-hand side hinge by sliding it to the right.
14. Install the tailgate in reverse order.

Note: After reinstalling the tailgate it is important to reinstall the retaining screw to the recommended torque, 7 lb.ft (10 Nm). Failure to install the retaining screw can cause the tailgate to detach.

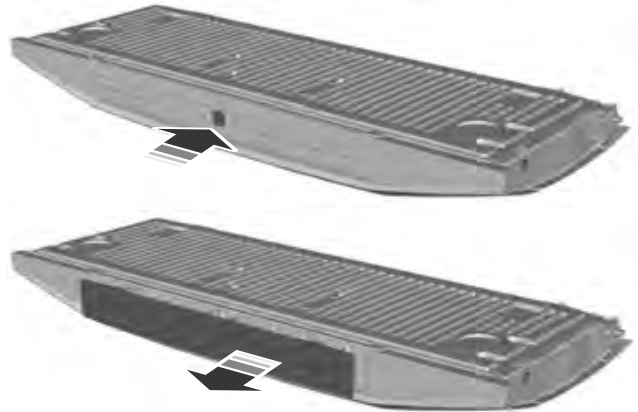
TAILGATE STEP (If Equipped)

Accessing the Tailgate Step

Integrated Tailgate Step

1. Lower the tailgate.

2. Push the button in the center of the step molding. The step pops out slightly.



3. Pull the step out fully. Lower the step to its lowest position.



4. Pull the yellow handle stop backward out of the tailgate until it fully extends.
5. To lock the handle in place, rotate the handle up from the horizontal to the vertical position until you hear a click.

Note: Do not tow with the step or grab handle.

Replace the slip resistance tape or grab handle molding if it appears as worn or damaged.

Tailgate - Vehicles With: Power Tailgate

To reduce the risk of falling:

- Only operate the step when your vehicle is on a level surface.
- Only operate the step in areas with sufficient lighting.
- Make sure you use the grab handle when climbing on the step.
- Do not use the step with bare feet.
- Make sure the step is clean before use.
- Keep the step load below the total maximum load of 350 lb (159 kg).

Stowing the Tailgate Step

1. Press the yellow button on the handle to lower and then press the yellow lever at the bottom of the handle to unlock. Rotate the handle down from the vertical to the horizontal position and push it into the tailgate.
2. Rotate the step up until it is horizontal, then push it back into the tailgate until the step is secure.

Note: Make sure to close and fully latch the step before moving your vehicle. Do not drive with the step or grab handle open.

Note: The power tailgate cannot close if the step is opened. A warning message appears and a chime sounds. After stowing step the power close function is restored.

BED EXTENDER (If Equipped)

Bed Extender Precautions

Note: Do not use the bed extender when driving off road.

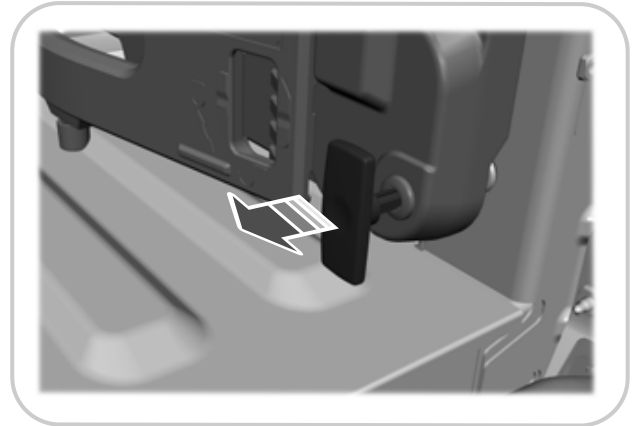
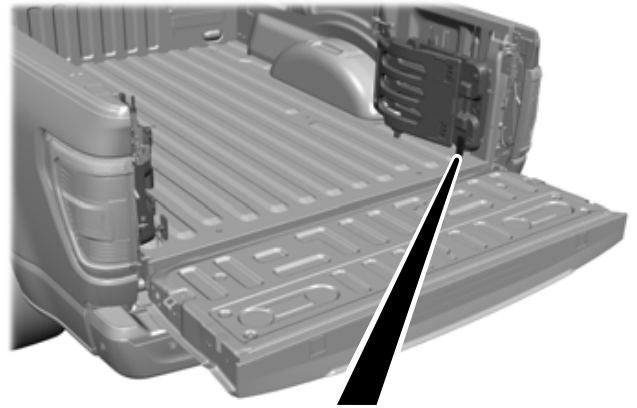
Note: Make sure to engage the locking pins and knobs fully before driving your vehicle.

Note: Make sure to secure all cargo.

Note: Do not exceed 150 lb (68 kg) on the tailgate when your vehicle is moving.

Note: Do not keep the bed extender in the tailgate mode when you are not using it for restraining cargo. Always keep the bed extender in the grocery mode or the stowed position with the tailgate closed.

Using the Bed Extender



1. Pull the locking pin toward the center of your vehicle.