

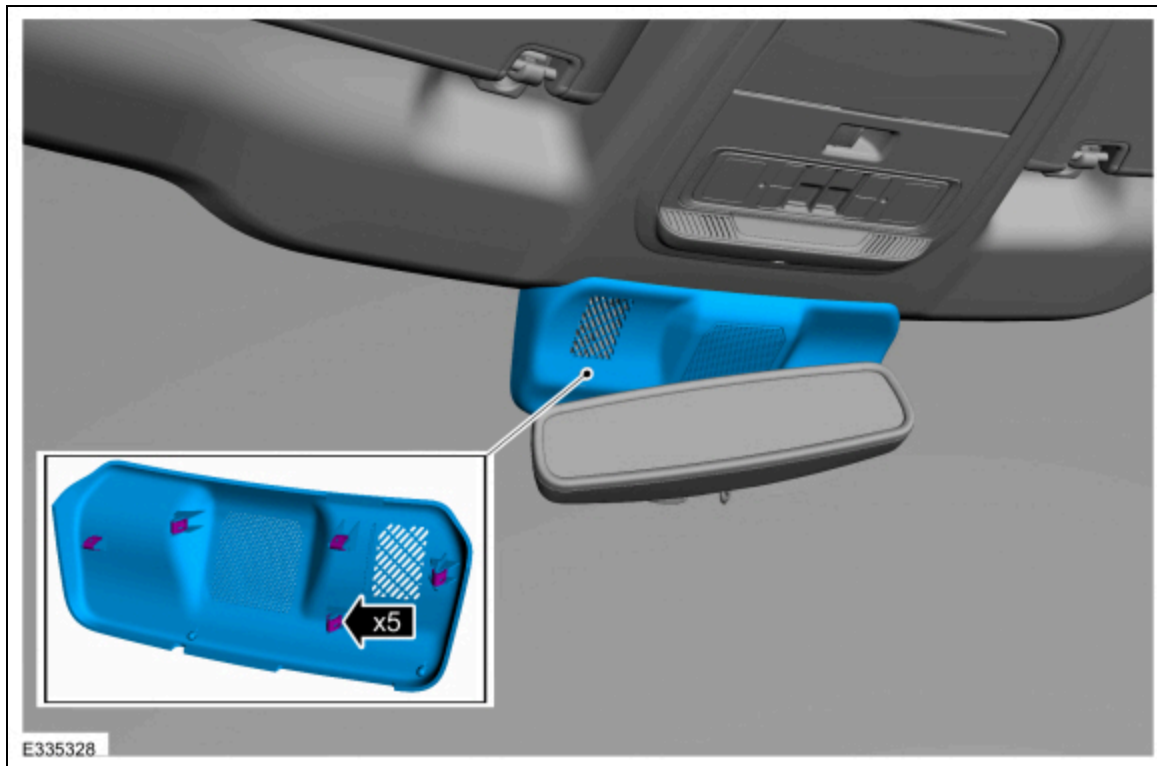
### Image Processing Module A (IPMA) Camera



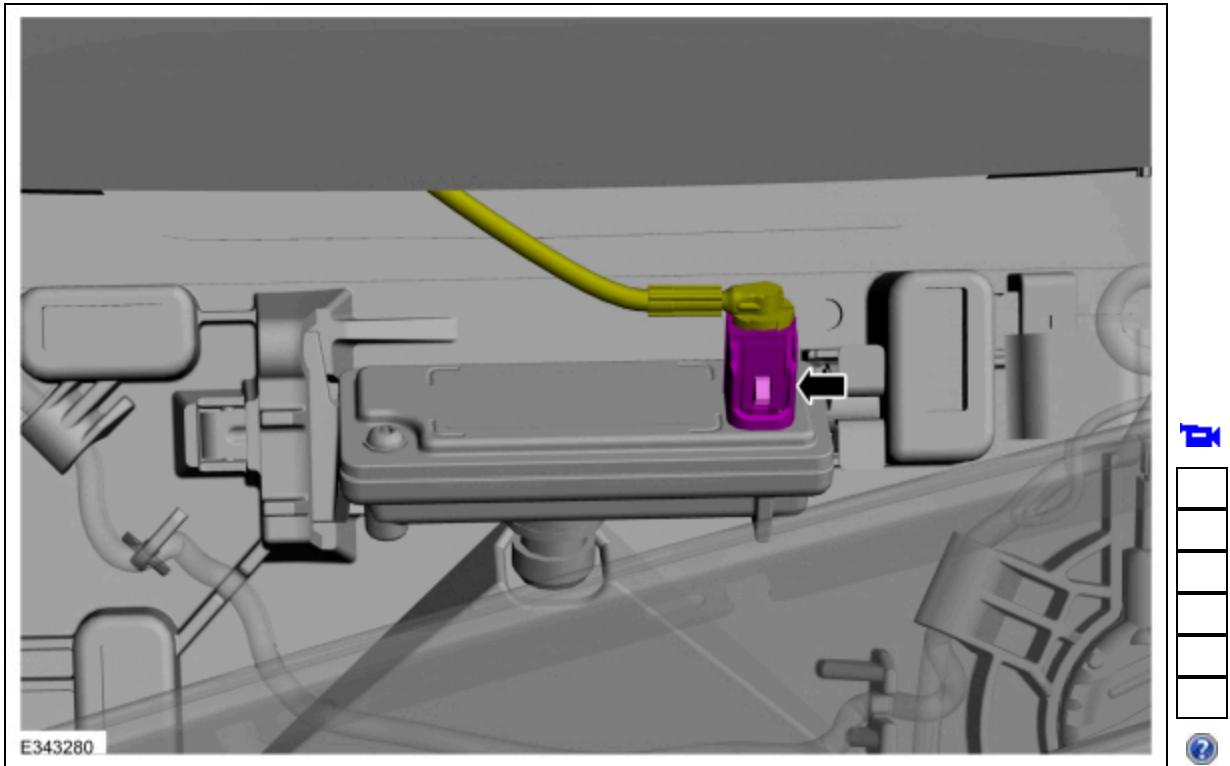
#### Removal

**NOTE:** Removal steps in this procedure may contain installation details.

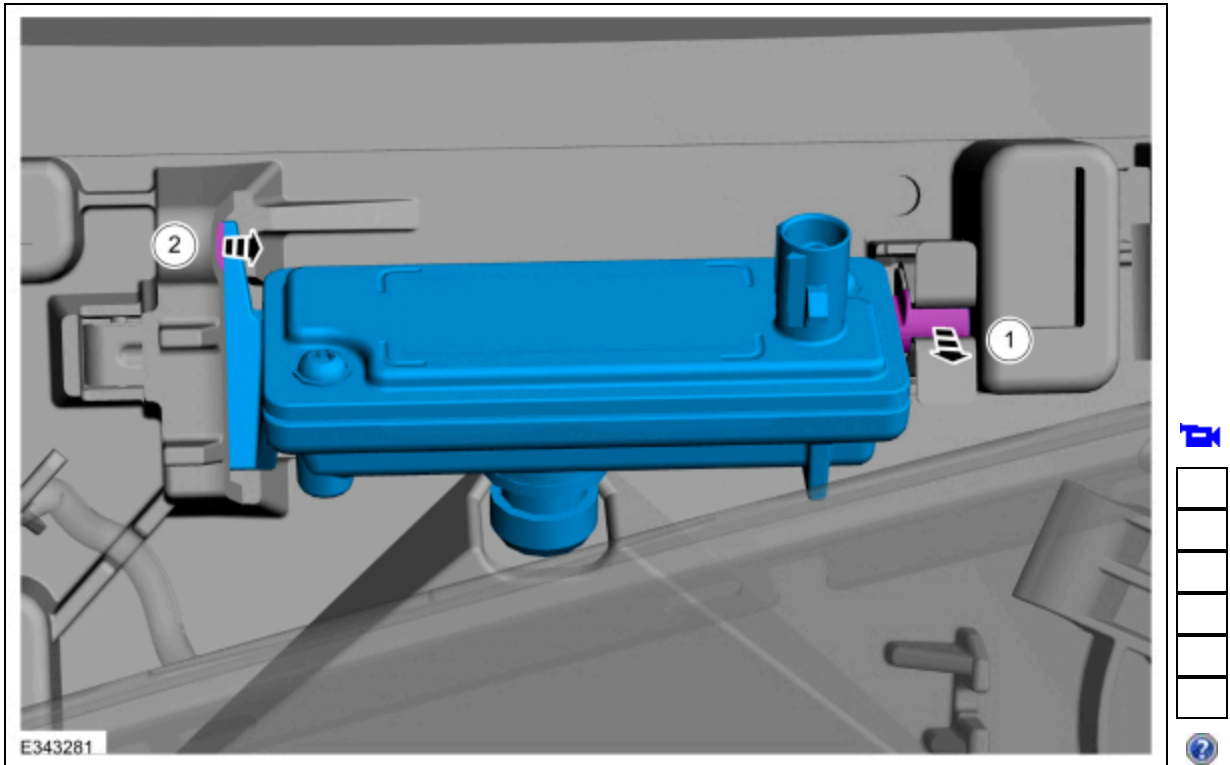
1. Remove the rain sensor cover.



2. Disconnect the IPMA camera electrical connector.



3.
  1. Release the tab.
  2. Release the tab and remove the IPMA camera.



### Installation

1. To install, reverse the removal procedure.
2. If a new IPMA camera has been installed, carry out the Image Processing Module A (IPMA) Alignment.

