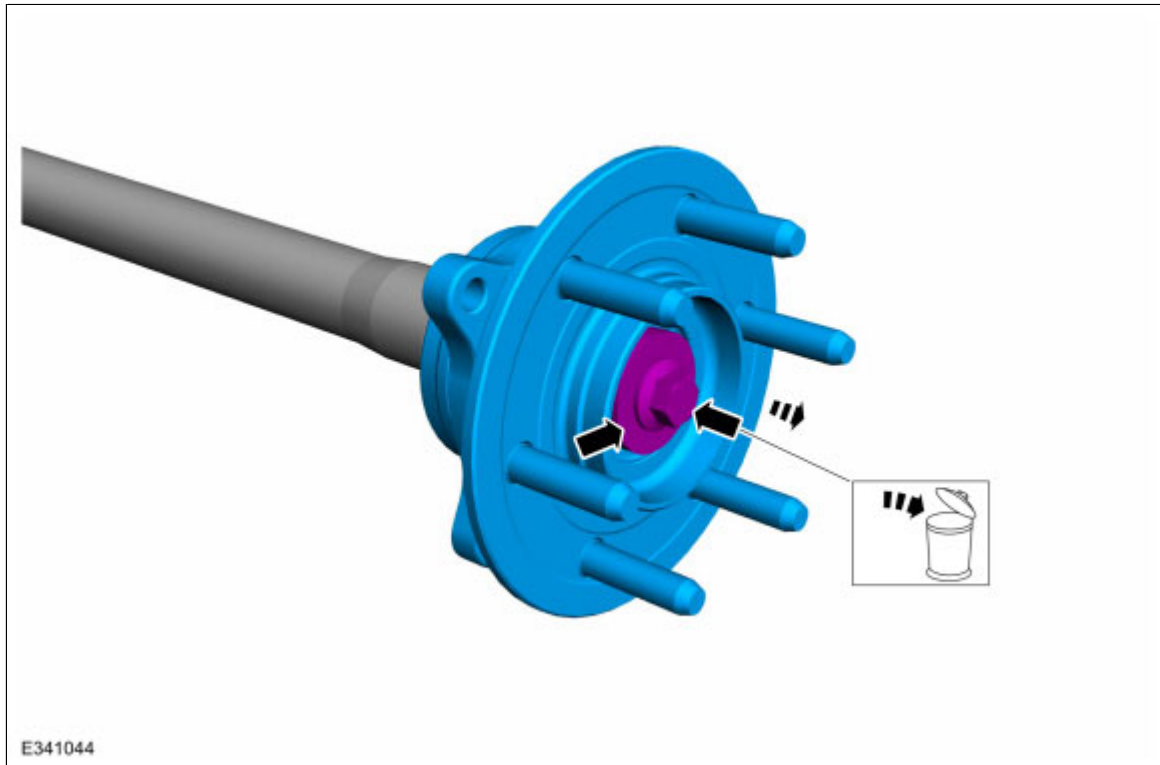


Wheel Hub

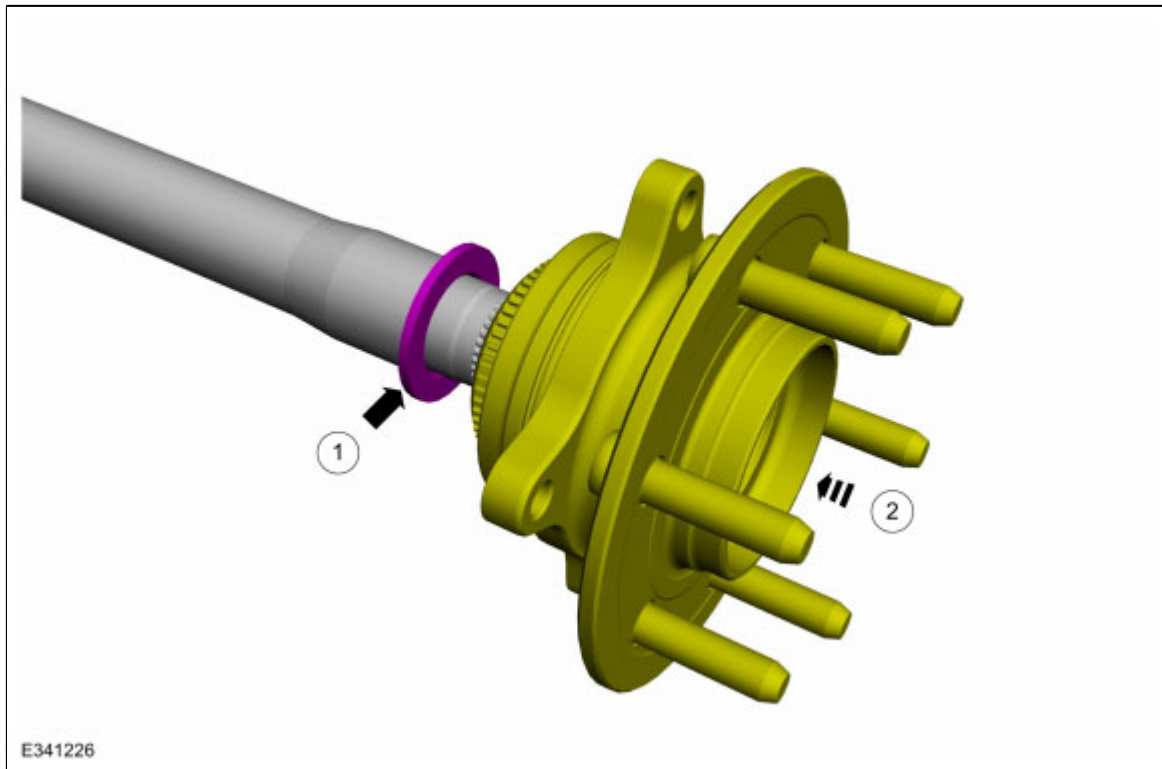
Removal

1. Remove the axle shaft.
Refer to: [Axle Shaft](#) (205-02C Wheel Hubs and Bearings - 3/4 Floating Axle, Removal and Installation).
2. Remove and discard the wheel end hub bolt and separate the axle shaft from the wheel hub assembly.
Use the General Equipment: Hydraulic Press



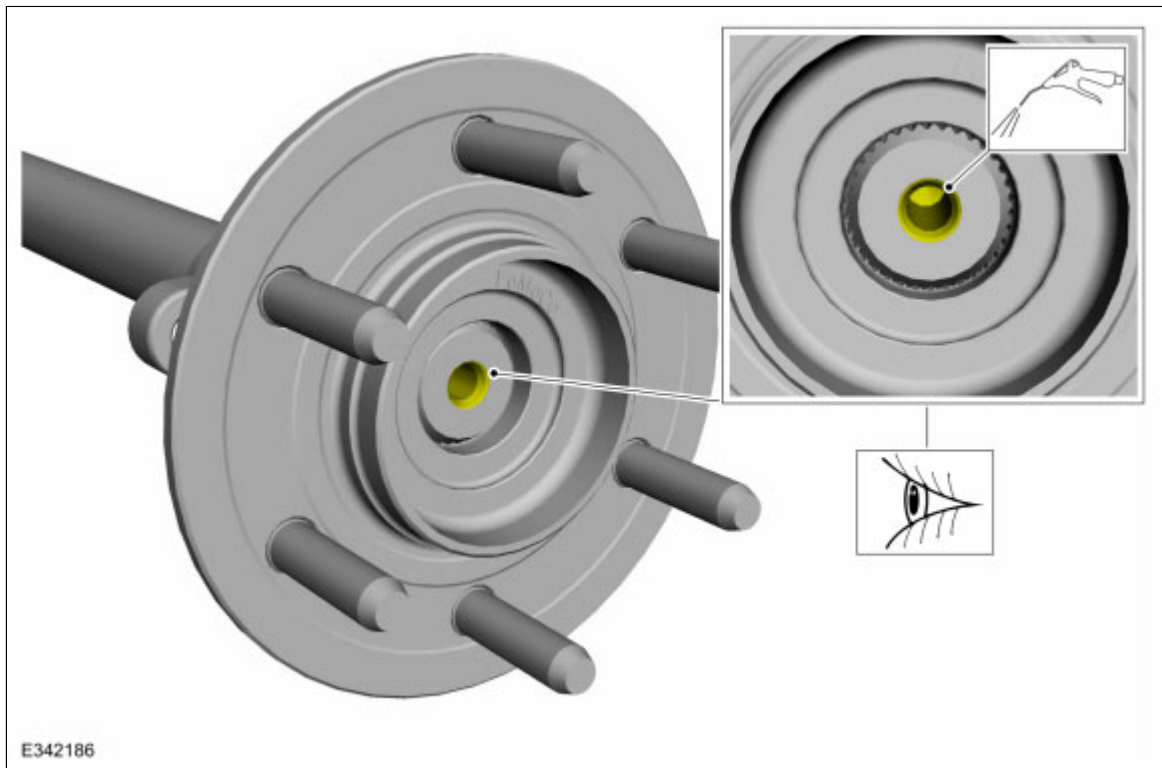
Installation

1.
 1. Install the inboard washer.
 2. Using general equipment, press the wheel hub assembly onto the axle shaft.
Use the General Equipment: Hydraulic Press



2. **NOTE:** Make sure that the threaded holes are clean and free of foreign matter.

Using compressed air, clean the internal threads of axle shaft.



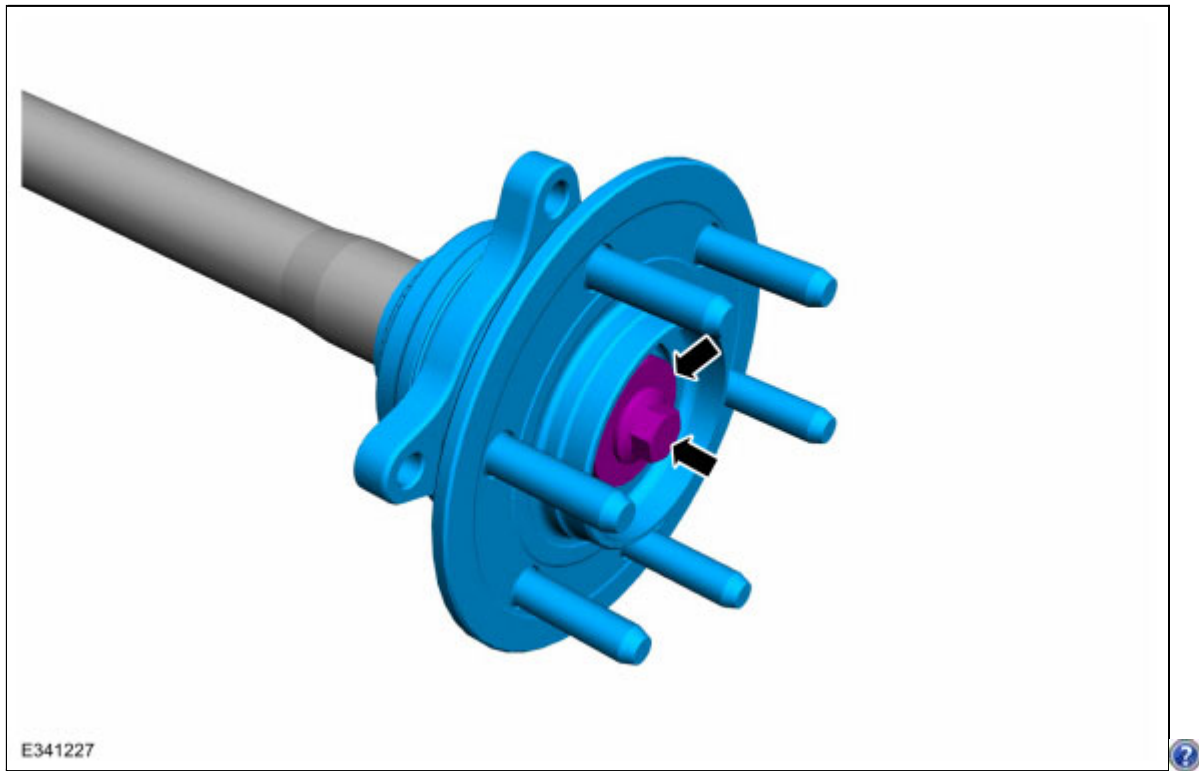
3. **NOTE:** Make sure a new bolt is installed.

Install the washer and tighten the bolt.

Torque :

Stage 1: 52 lb.ft (70 Nm)

Stage 2: 90°



4. Install the axle shaft.
Refer to: [Axle Shaft](#) (205-02C Wheel Hubs and Bearings - 3/4 Floating Axle, Removal and Installation).
-