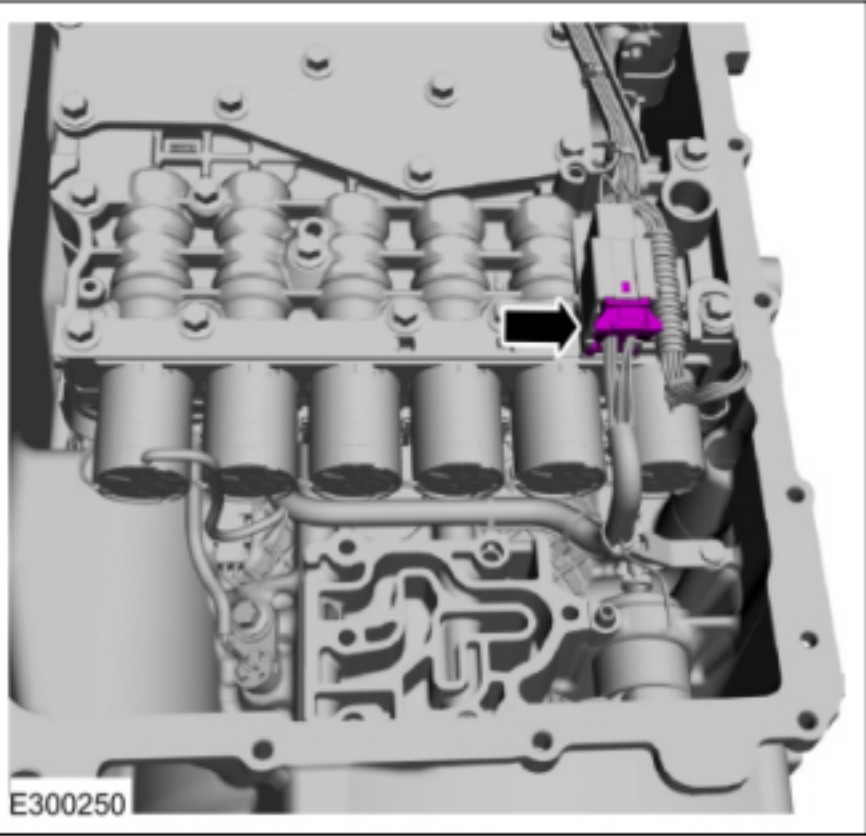
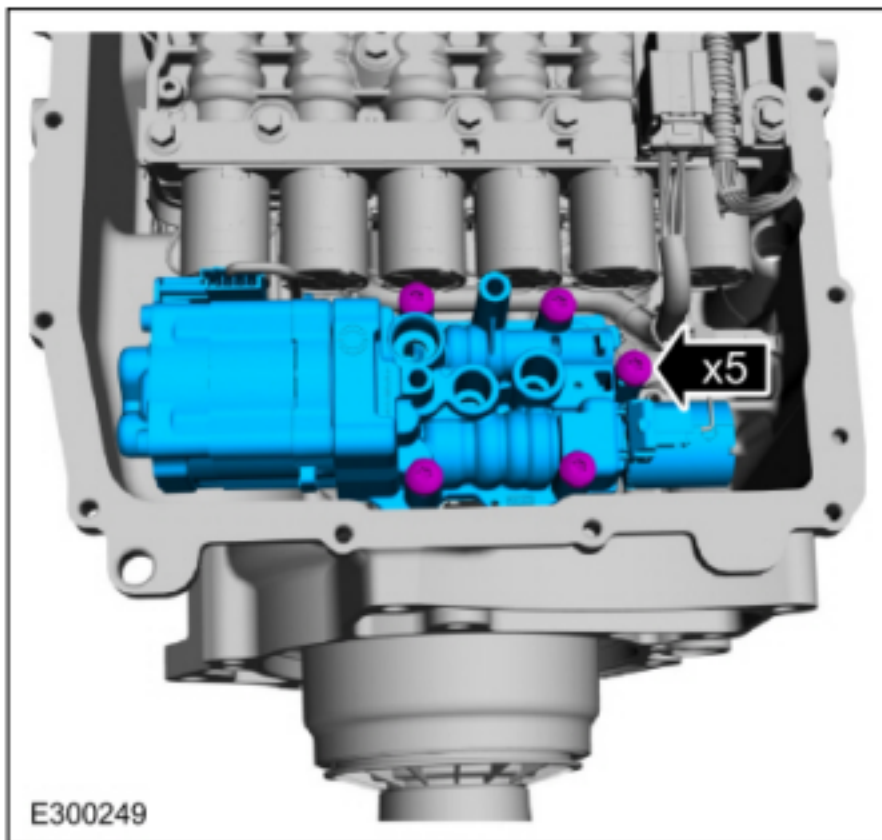


63. Connect the main control main electrical connector.



64. Install the transmission fluid auxiliary pump and the bolts.

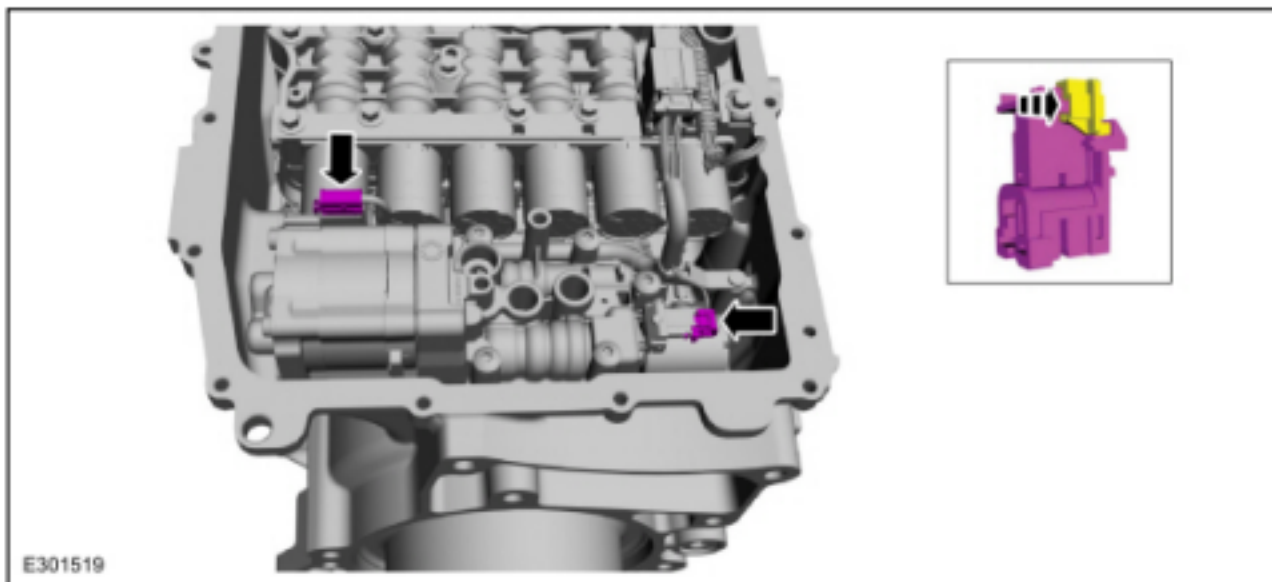
*Torque : 97 lb.in (11 Nm)*



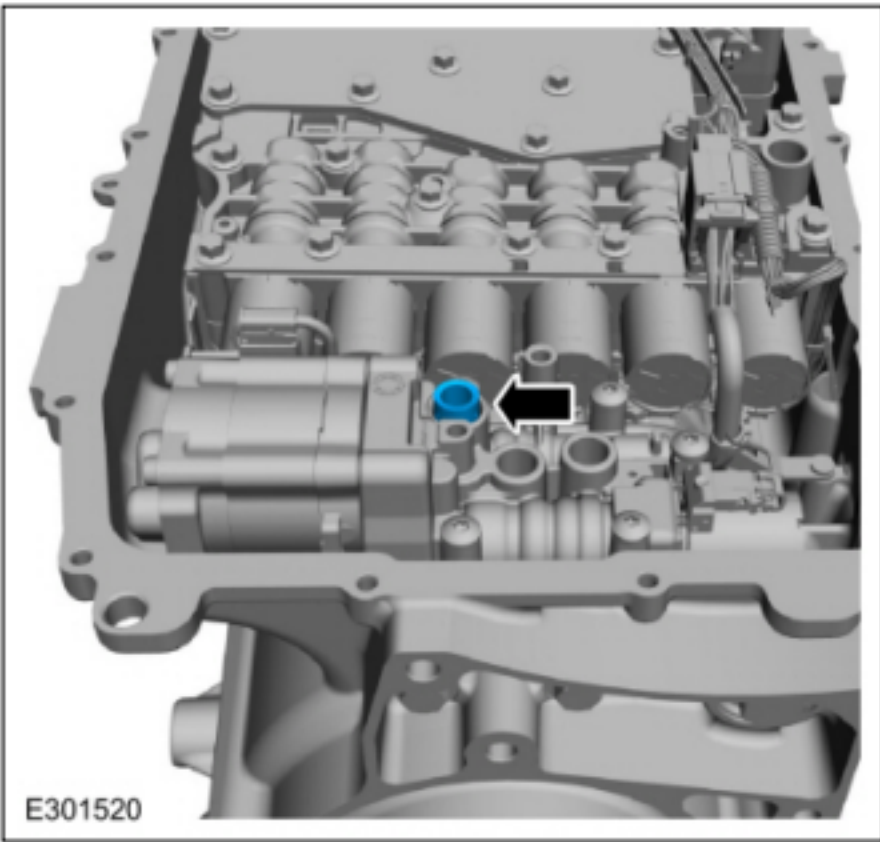
65.

Connect the transmission fluid auxiliary pump electrical connectors.

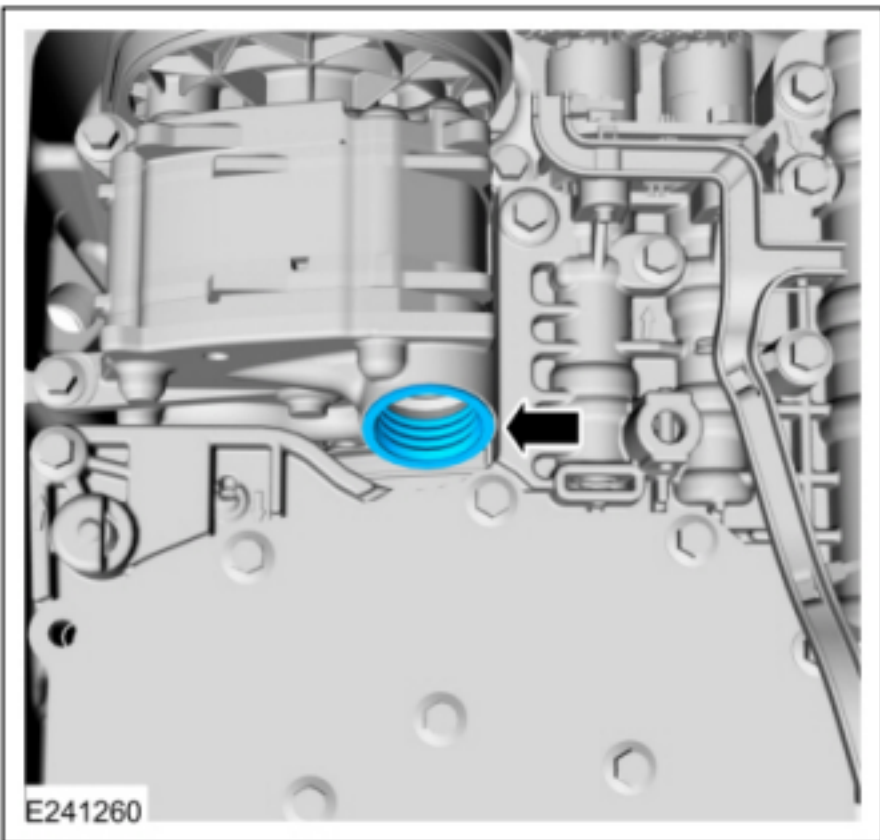
- Connect the electrical connectors. Slide the plastic locks to the locked position.



66. Install the new transmission fluid auxiliary pump filter seal.



67. Install the filter seal in the pump.



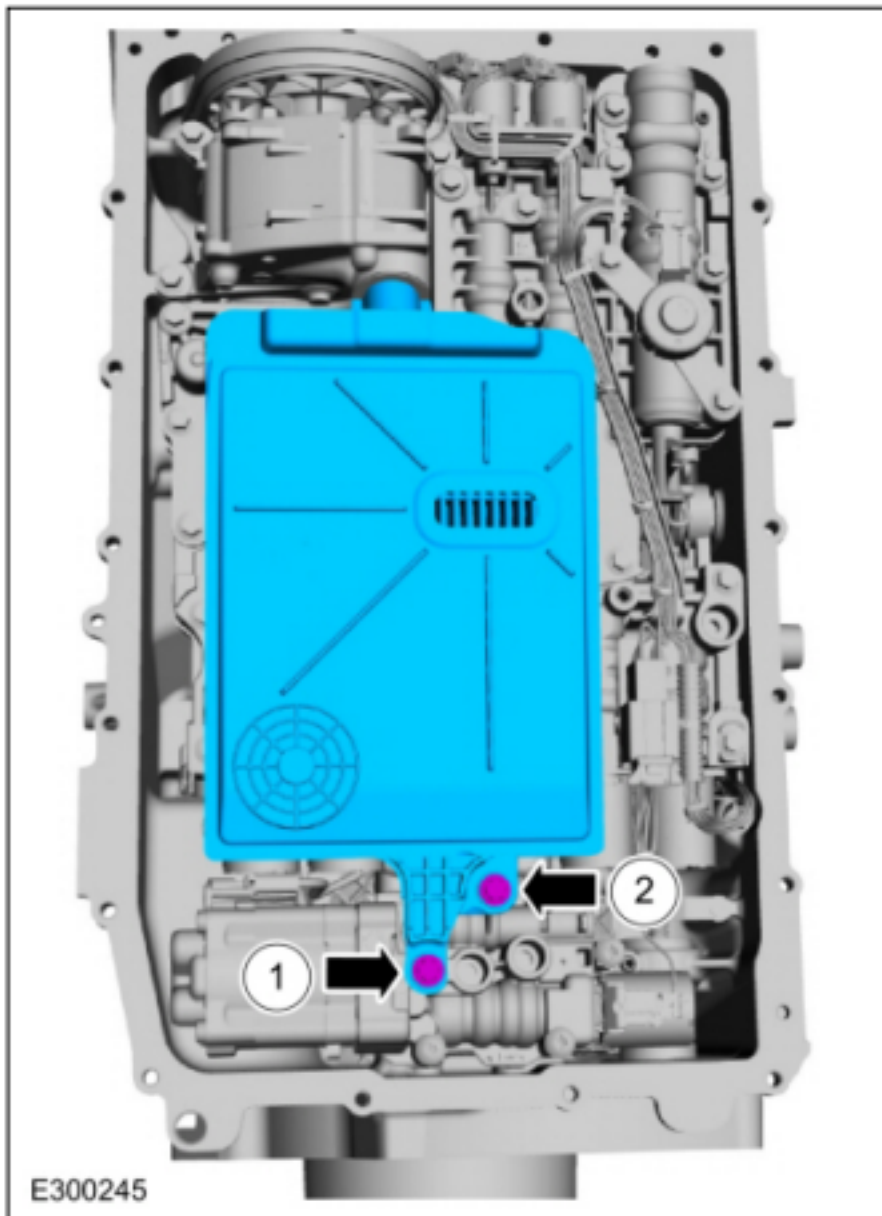
68. **NOTICE:** If the bolts are installed in the wrong locations, transmission damage will occur.

**NOTE:** The transmission fluid filter may be reused if no excessive contamination is indicated.

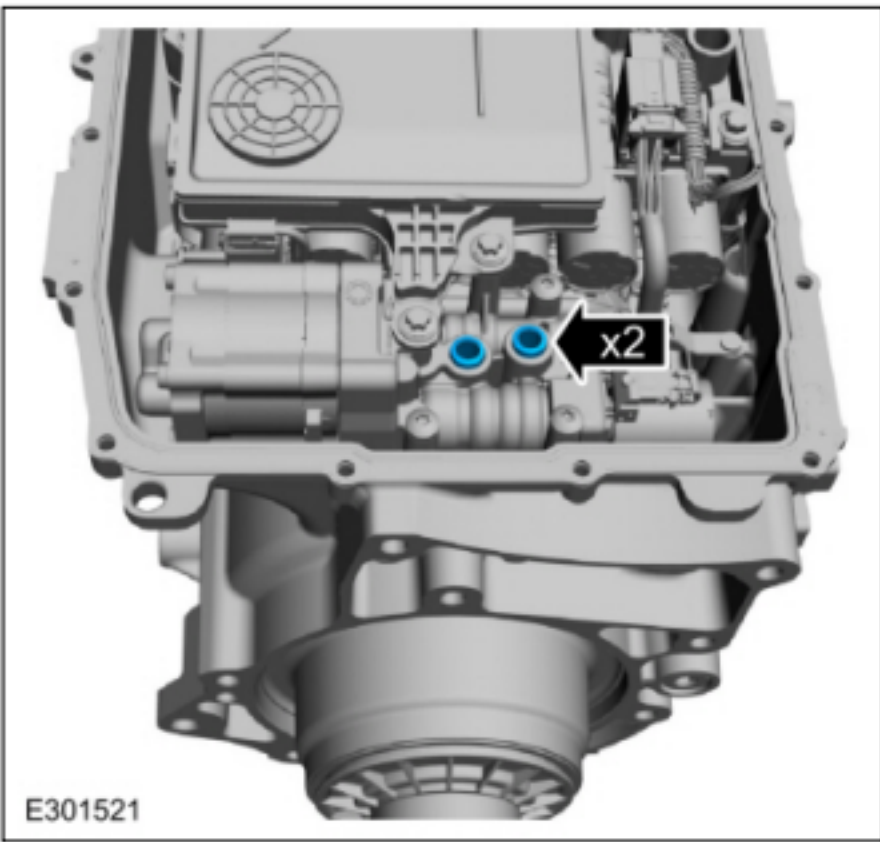
**NOTE:** Use a 10ep Torx Plus® socket to install the bolts.

Install the filter and the bolts in the correct locations.

1. 73 mm bolt
  2. 25 mm bolt
- Torque : 97 lb.in (11 Nm)



69. Install the new hybrid drive unit feed tube seals.



70. **NOTE:** *The transmission fluid pan gasket can be reused if not damaged.*

Install the fluid pan gasket and seals.

1. Transmission fluid pan gasket
2. Transmission fluid pan to transmission case seals



E301522



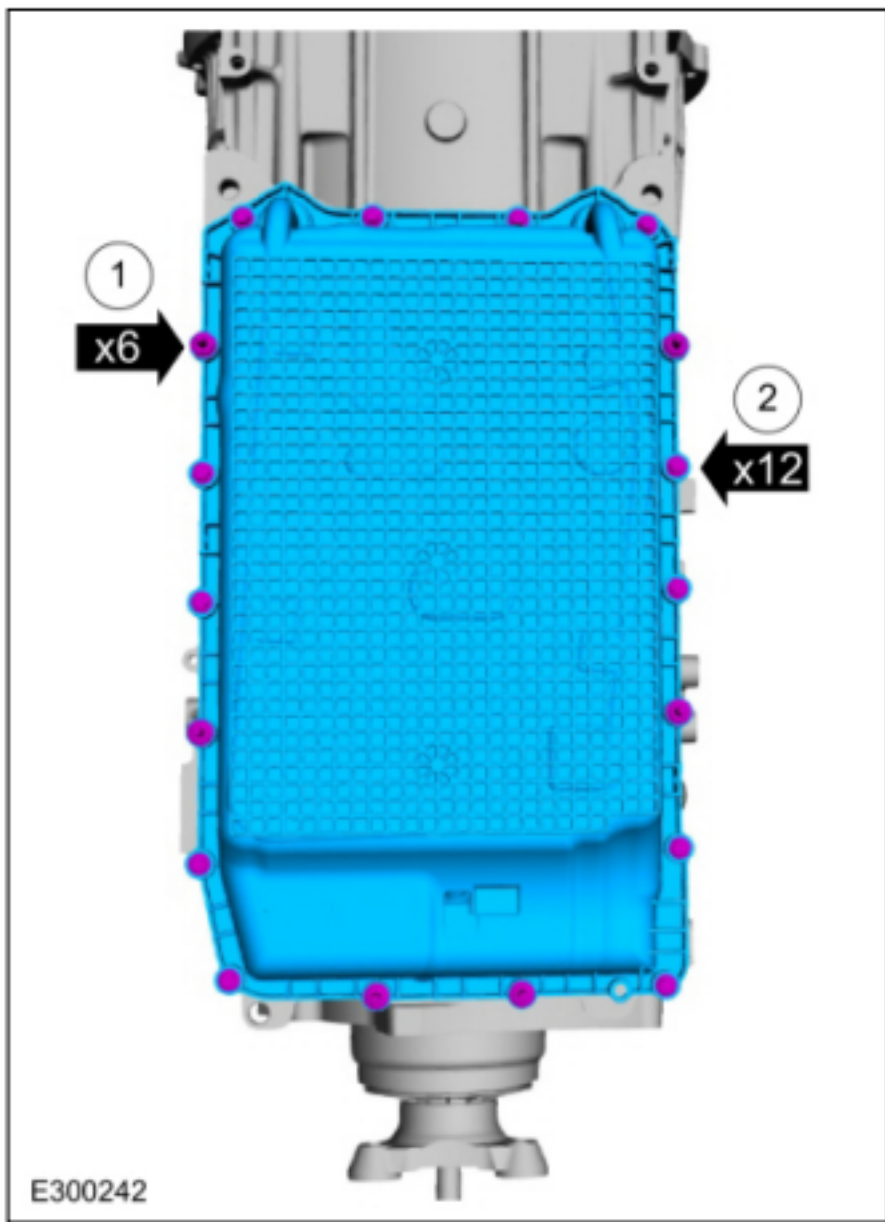
71. Install the transmission fluid pan and tighten the bolts in a crisscross pattern.

1. Studbolts

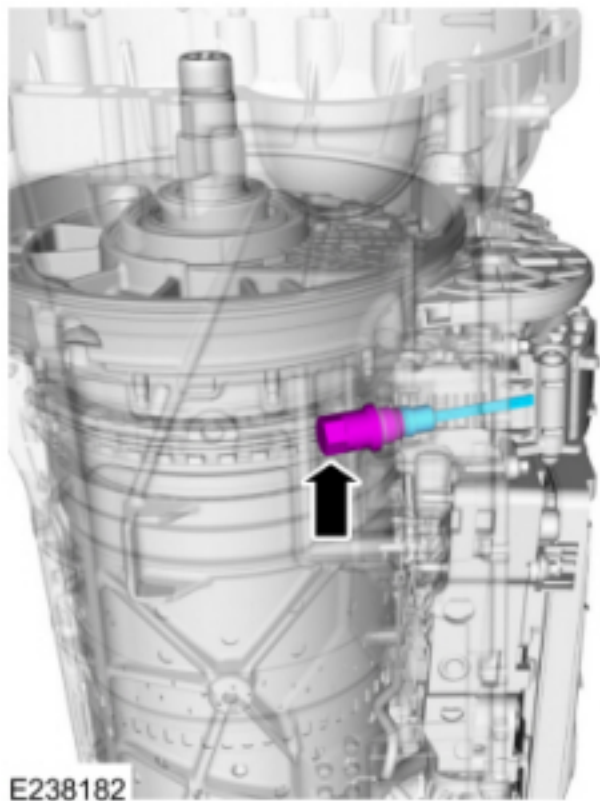
*Torque* : 106 lb.in (12 Nm)

2. Bolts

*Torque* : 89 lb.in (10 Nm)



72. Loosely install the transmission fluid level indicator.



E238182



73. Install the transmission assembly.

Refer to: [Transmission](#) (307-01B Automatic Transmission - 10-Speed Automatic Transmission – 10R80 MHT, Installation) .

© Copyright 2022, Ford Motor Company.

---